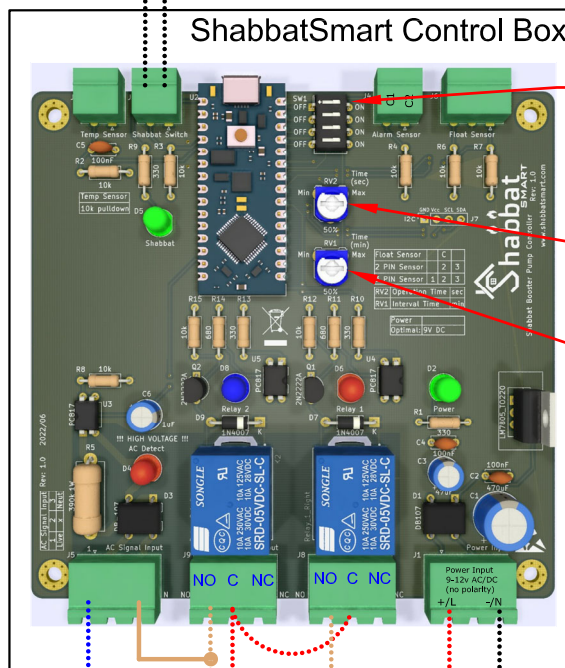
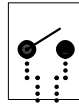


# ShabbatSmart controller for Stuart turner Flomate booster pump

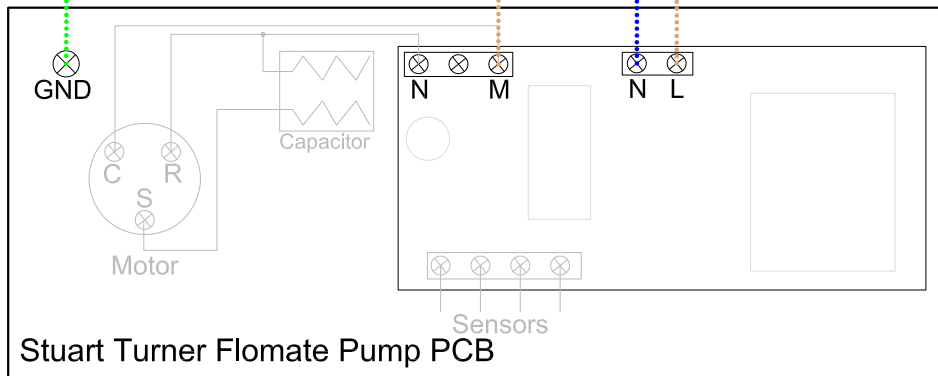
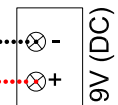
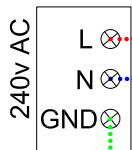


Stuart Turner Flomate MBF Accumulator & Pump

Shabbat/Weekday Switch (field Supply)  
(closed Contact = Shabbat Mode)



- SW1-1  
ON=Commissioning Mode  
(pump starts every 10 Seconds)  
OFF= Standard Operation Mode  
(pump start follows RV1)
- RV2  
pump forced operation time: 2-5 seconds (once the pump starts)
- RV1  
Shabbat Operation intervals:  
MIN= pump starts every 5 minutes  
50%= pump starts every 10 Minutes  
Max= pump starts every 15 minutes



..... Dotted Line = Field wiring

———— Continuous Line = Factory wiring



Shabbat Smart Ltd.  
85 Kenilworth Road  
London HA8 8XA  
United Kingdom  
Tel: +44 20 8004 9558  
email: info@ShabbatSmart.com  
www.ShabbatSmart.com

NAME	ShabbatSmart booster pump controller	
DESCRIPTION	Shabbat controller for Stuart turner Flomate	
VERSION	v3	09/11/2022