



v1 15/11/2022

**ShabbatSmart Controller
for Stuart Turner
Mainsboost Flomate MBF series**

Mainsboost Flomate MBF series with accumulator.

We recommend the 200 Litre accumulator and above.

80 Litre model: MBF 80-1-15
100 Litre model: MBF 100-1-15
200 Litre model: MBF 200-1-15
300 Litre model: MBF 300-1-15

A quick search on the internet will return many results.

Stuart Turner web page: click [HERE](#)

We have purchased from www.tanks-direct.co.uk here is a link to the product page: [LINK](#)

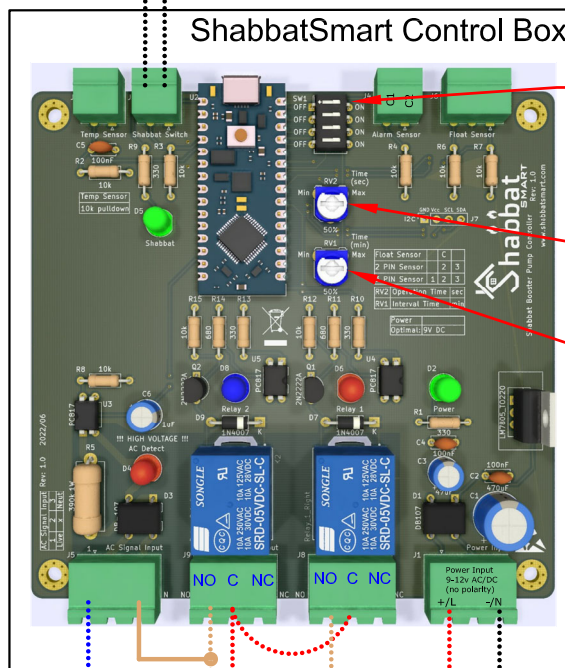
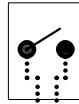


ShabbatSmart controller for Stuart turner Flomate booster pump

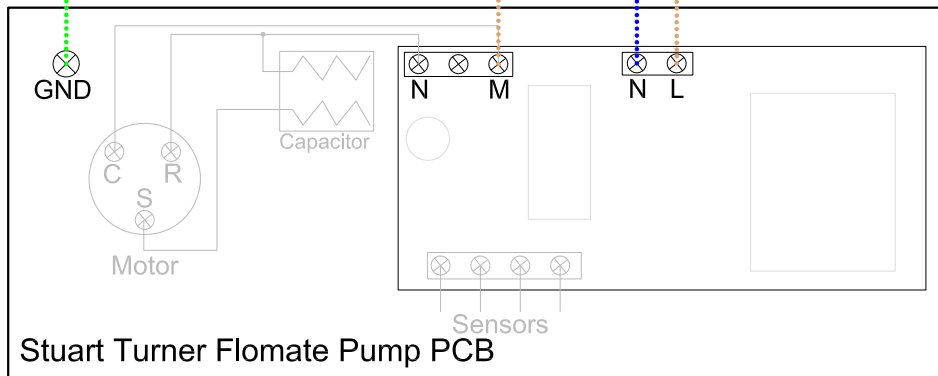
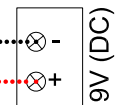
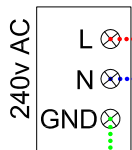


Stuart Turner Flomate MBF Accumulator & Pump

Shabbat/Weekday Switch (field Supply)
(closed Contact = Shabbat Mode)



- SW1-1
ON=Commissioning Mode
(pump starts every 10 Seconds)
OFF= Standard Operation Mode
(pump start follows RV1)
- RV2
pump forced operation time: 2-5 seconds (once the pump starts)
- RV1
Shabbat Operation intervals:
MIN= pump starts every 5 minutes
50%= pump starts every 10 Minutes
Max= pump starts every 15 minutes



..... Dotted Line = Field wiring
—— Continuous Line = Factory wiring

NAME	ShabbatSmart booster pump controller	
DESCRIPTION	Shabbat controller for Stuart turner Flomate	
VERSION	v3	09/11/2022